

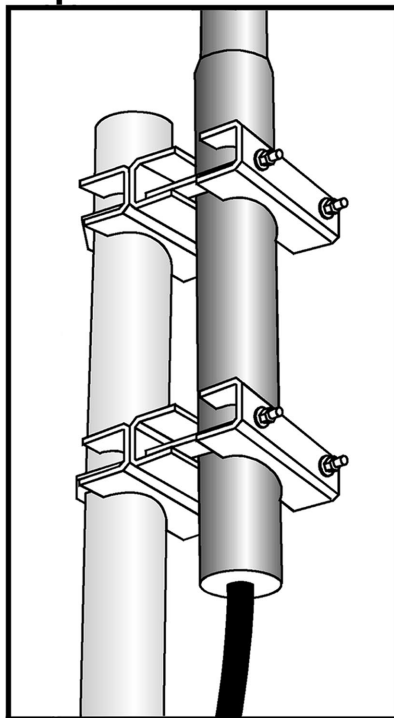
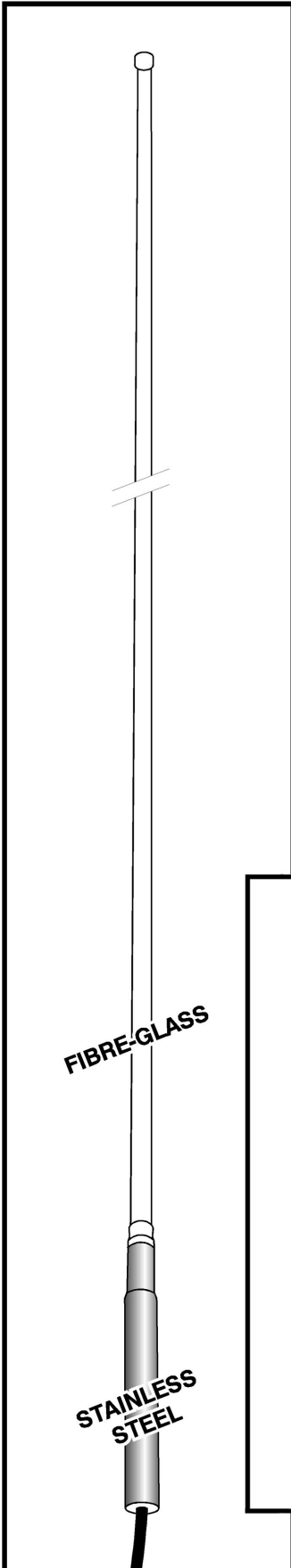
BEAMER

Base Station Antenna Omni-Directional Fibre-Glass



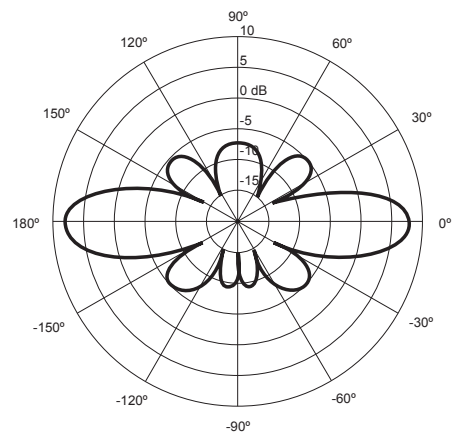
Model	Frequency
CLX-40/6 400420	400-420MHz
CLX-40/6 420440	420-440MHz
CLX-40/6 440460	440-460MHz
CLX-40/6 450470	450-470MHz
CLX-40/6 470490	470-490MHz

CLX-40/6 Series



Type	Double Dipole Colinear
Gain	6dBd
SWR in Bandwidth	<1.5:1
Impedance	50 ohm
Polarisation	Vertical
Power Rating	250 watt
Working Temperature	-30°C ~ +80°C
Wind Resistance	150km/h
Lightning Protection	DC Ground
Connector	N Female
Total Length	Approx. 2800mm
Weight	Approx. 1.5kg

VERTICAL RADIATION PATTERN



SWR CHART

